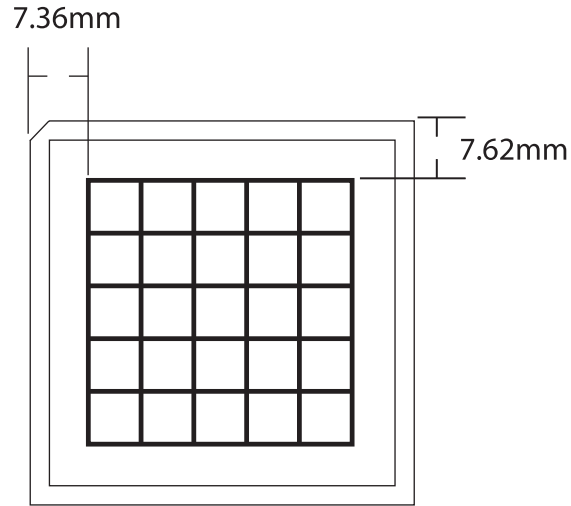


Rev.	Date	Change Detail
1	---	Hard Copy Only. Electronic file not available
2	2/14/06	Created electronic file. Change offset registration from inches to millimeters.



Cell Size = 6.35mm x 6.35mm  
Line Weight = 0.63mm

**Gel-Pak**  
Protecting the World's Valuable Devices

31398 Huntwood Ave.  
Hayward, CA 94544  
(510) 576-2220  
www.gelpak.com

Description:

Gel-Pak Grid# P-0163 on 2" BD Lid

TMK

Part # P-0163

Rev: 2

Dwg # P-0163\_BD.ai

Date: 2/14/06

Scale: 1:1

Dimensions: mm

Sheet: 1 of 1