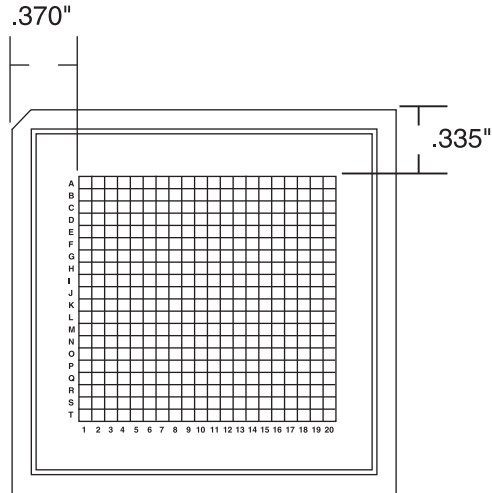


Revision History			
Rev.	Description	By	Date
	Initial Release	N/A	N/A
1	Change tolerance from +/- 0.005" to 0.007" Added MicroVu inspection requirement.	N/A	09/10/08
2	cell dim. .060" is actually .057" & line weight 0.010" is actually 0.007", chg to meet manuf. practice	PM	08/25/11




Note: High Accuracy = +/- 0.007" registration relative to top/left sides.  
Must use MicroVu for First Article and In Process Inspections.

Notes:

- 1) Cell Size: 0.060" x 0.057"
- 2) Line Weight: 0.007"
- 3) Font: Helvetica Bold 3 pt.

NOTICE OF PROPRIETARY RIGHTS IN DATA

THE DATA CONTAINED HEREIN IS PROPRIETARY TO GEL-PAK. THIS DATA SHALL NOT BE DUPLICATED, TRANSFERRED, MADE AVAILABLE TO, OR USED BY ANY THIRD PARTY FOR ANY PURPOSE EXCEPT AS SPECIFICALLY AUTHORIZED IN WRITING BY GEL-PAK.

		31398 Huntwood Ave. Hayward, CA 94544 (510) 576-2220	
		www.gelpak.com	
<b>Description:</b> GEL-PAK Print# P-0041-HA (20x20, High Accuracy)			
<b>Part #</b> P-0041-HA			<b>REV:</b> 2
<b>Dwg #</b> P-0041-HA_VR76-195.ai		<b>Date:</b> 08/25/11	
<b>Scale:</b> 1:1	<b>Dimensions:</b> Inches	<b>Sheet:</b> 1 of 1	